

OEM Relative and differential pressure transmitter type 401

Pressure range
0 ... 3 – 8 mbar

Type 401 pressure transmitters sense ultra fine changes in air pressure and are designed to provide optimum control. The dual component diaphragm with it's unique geometry, gives highly sensitive operation and excellent repeatability, even in the range below 20 Pascal.

- Special development for optimize of combustion mixture in gas boilers
- With the special diaphragm geometry inherently stable due to homogeneous manufacture with the 2 component injection moulding process (plastic silicone)
- Ideal dimensioning for high sensitivity and with long term stability
- Excellent repeatability even in the lower pressure range (< 20 Pascal)



Technical overview

Pressure range

Relative and differential 0 ... 3 – 8 mbar

Operating conditions

Medium		Air and neutral gases
Temperature	Medium and ambient	0 ... +70 °C
	Storage	-40 ... +70 °C
Tolerable overload on one side		25 mbar 100 mbar short period at room temperature
Rupture pressure		200 mbar
Leak rate		< 5 cm ³ /h (Air, at measuring range)

Materials in contact with the medium

Case	Polycarbonate (PC)
Diaphragm	LSR (Liquid Silicon Rubber)
Sensor	Ceramic Al ₂ O ₃ / Glass

Electrical overview

Output		0.5 ... 4.5 V
Power supply		10.4 ... 18 VDC ¹⁾
Load		> 15 kOhm (to GND)
Current consumption	At nominal voltage without load	< 8 mA
Polarity reversal protection		Mechanically protected
Dynamic response	Response time	< 10 ms
	Load cycle	< 10 Hz
Electrical compatibility	The product is designed exclusively for installation in equipment. The customer is responsible for CE conformity.	

Protection standard

IP 00

Electrical connections

3-pole plug connector RAST 2.5 Recommend: AMP DOUPLUG 2.5™

Pressure connection

Pipe Ø 6.2 mm

Mounting instruction

Installation arrangement	Diaphragm horizontal (recommend)	Pressure connections facing downward
	Diaphragm vertical (on request)	Pressure connections lateral, signal approx. 13 Pa below actual pressure
Mounting		Snap mounting in sheet steel (thickness 1 and 2 mm)
		Mounting bracket type A / type B

Tests / Admissions

DVGW according to DIN EN 1854

CE-0085BM0306

Weight

~ 45 g

Packaging

Cardboard boxes with blister pack inserts (returnable).

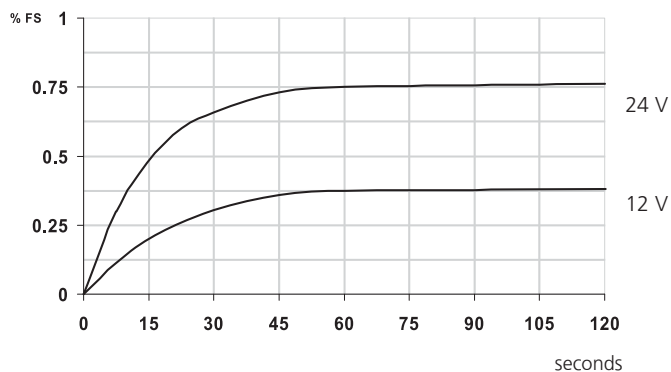
Ordering batches quantities / Transport volumes

Pieces	Varaint	Length (cm)	Width (cm)	Height (cm)	Weight (kg)	Blister (20 pcs)
1440	12 Box on euro-palette	120	80	93	134	72
120	1 Box	59	39	26	9.5	6

Accuracy

Signal drift

Parameter		Unit	
Tolerance zero point ²⁾	max.	% fs	± 0.5
Tolerance full scale ²⁾	max.	% fs	-1.5 / +0.5
Resolution		% fs	0.1
Total of linearity, hysteresis and repeatability	max.	% fs	± 0.3
Long term stability acc. to DIN EN 60770		% fs	± 1.0
TC zero point ³⁾	typ.	% fs/10K	± 0.2
TC zero point ³⁾	max.	% fs/10K	± 0.3
TC sensitivity ³⁾	typ.	% fs/10K	± 0.1



¹⁾ Power supply possible up to 28 VDC (with higher Power up drift see diagram)

²⁾ For changing diaphragm position from horizontal to vertical, approx. -0.13 mbar.

³⁾ TC = Temperature coefficient

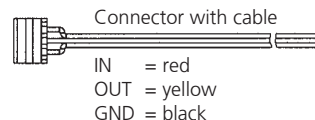
Order code selection table		Order number								
Pressure range	0 ... 3 mbar	4	0	1	.	9	3	0	0	0
	0 ... 5 mbar	4	0	1	.	9	5	0	0	0
	0 ... 8 mbar	4	0	1	.	9	8	0	0	0

▲ Full scale signal at these pressure

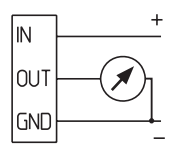
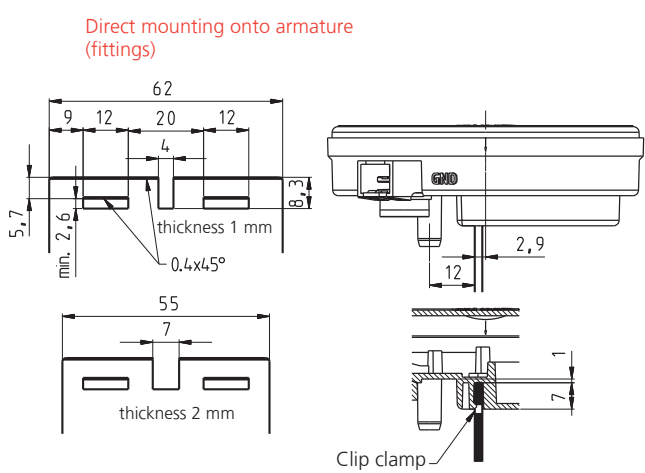
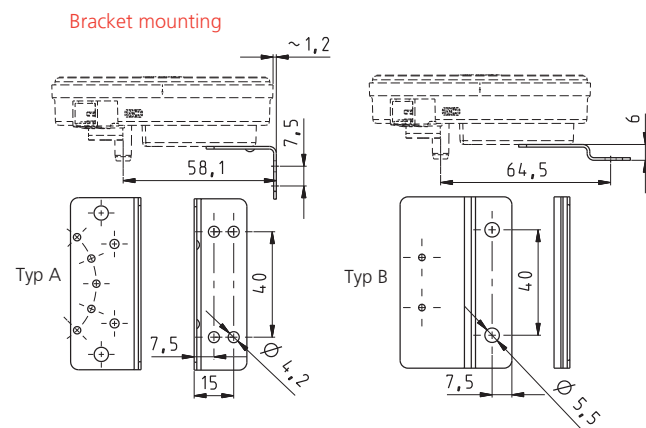
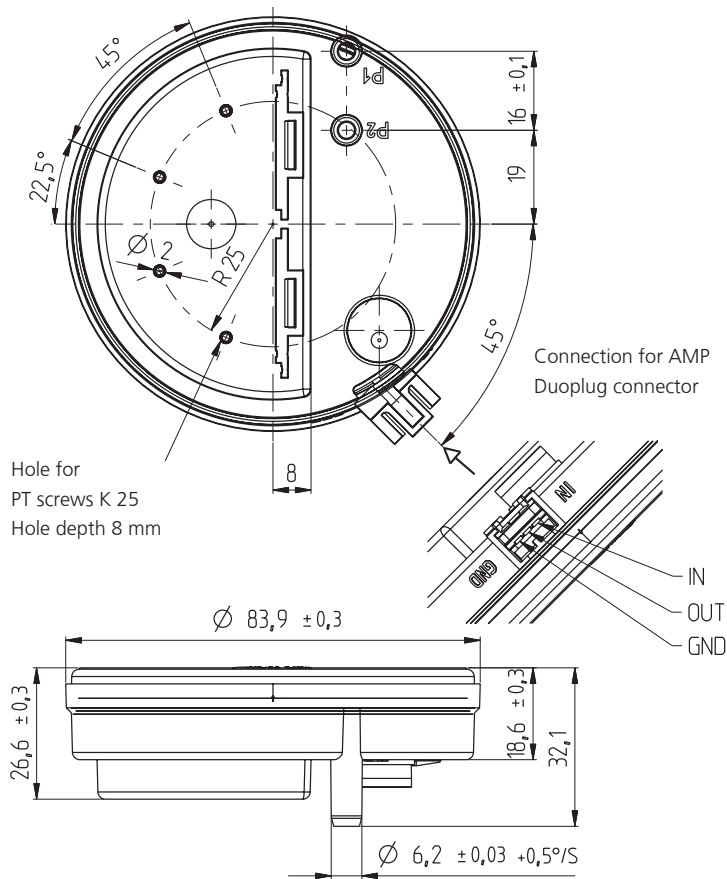
Accessories ¹⁾

		Order number
Bracket type A		100295
Bracket type B		100098
Special screws for fastening transmitter to bracket (2 screws per transmitter required)		102976
Orifice for pulsed pressure		100251
AMP DUOPLUG 2.5™ connector with cable	30 cm	111668
AMP DUOPLUG 2.5™ connector with cable	110 cm	101817
AMP DUOPLUG 2.5™ connector with cable	150 cm	112282
Calibration certificate		104551

AMP connector ²⁾	Manufacturer's Part No.	Colour	for flexible wire
	3-829868-3	grey	7 x 0.20 mm = 0.22 mm ² or 12 x 0.20 mm = 0.35 mm ²
	1-966194-3	beige	7 x 0.25 mm = 0.35 mm ²



Dimensions in mm / Electrical connections



¹⁾ Accessories supplied loose ²⁾ To be ordered separately from original manufacturer. Further information can be found in the manufacturer specification No. 114-18049.49 zu finden.

Huba Control AG

Headquarters

Industriestrasse 17
5436 Würenlos
Telefon +41 (0) 56 436 82 00
Telefax +41 (0) 56 436 82 82
info.ch@hubacontrol.com

Huba Control AG

Niederlassung Deutschland

Schlattgrabenstrasse 24
72141 Walddorfhäslach
Telefon +49 (0) 7127 23 93 00
Telefax +49 (0) 7127 23 93 20
info.de@hubacontrol.com

Huba Control SA

Succursale France

Rue Lavoisier
Technopôle Forbach-Sud
57602 Forbach Cedex
Téléphone +33 (0) 387 847 300
Télécopieur +33 (0) 387 847 301
info.fr@hubacontrol.com

Huba Control AG

Vestiging Nederland

Hamseweg 20A
3828 AD Hoogland
Telefoon +31 (0) 33 433 03 66
Telefax +31 (0) 33 433 03 77
info.nl@hubacontrol.com

Huba Control AG

Branch Office United Kingdom

Unit 3 Network Point, Range Road
Witney Oxfordshire OX29 0YD
Phone +44 (0) 1993 776667
Fax +44 (0) 1993 776671
info.uk@hubacontrol.com

Huba Control AG

Rep. Office Singapore

No. 16 Ayer Rajah Crescent Witney
#06-06B Tempco Technominium
139965 Singapore
Phone +65 (0) 61 004 822
Fax +65 (0) 63 994 822
info.sg@hubacontrol.com

Huba Control AG

Rep. Office China

CBC Building, 49A Wuyi Road
Shanghai 200050
Phone +86 (0) 21 511 808 21
Fax +86 (0) 21 515 520 99
info.cn@hubacontrol.com